

Threaded Lifting Pins

Steel / Stainless Steel, Self-Locking

SPECIFICATION

Steel **ST**

- Pin, shackle
- Heat-treated, manganese phosphated

Stainless steel **NI**

- Pin, AISI 630
- Precipitation hardened
- Shackle, AISI 316Ti

Threaded segments

- Stainless steel AISI 630
- Precipitation hardened

Push button

Aluminum, orange anodized

Spring

Stainless steel



INFORMATION

Threaded lifting pins GN 1133 are support elements designed for quick and easy use. Pressing the operation button unlocks the threaded segments, allowing the pin to be moved in or out of the mounting thread. This eliminates the time-consuming process of screwing in or out encountered with typical lifting gear, such as lifting eye bolts.

Assuming sufficient material strength, only true-to-gauge threaded holes are required to make use of the threaded lifting pins.

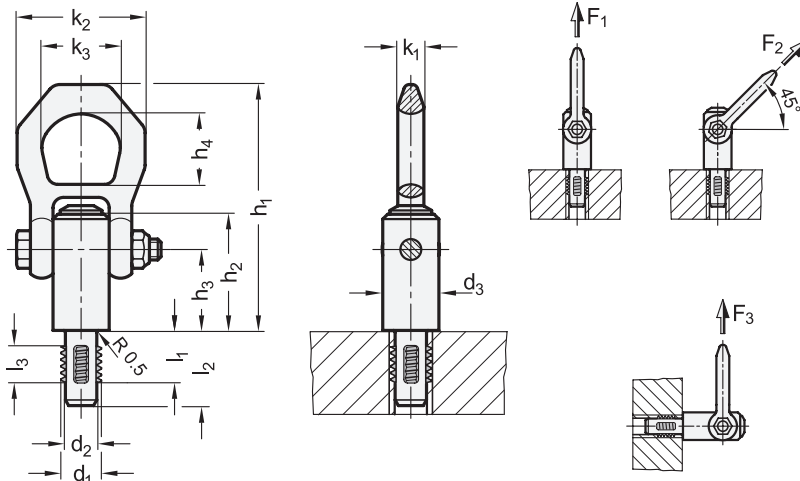
The shackle swivels by 180°, with a safety bar protecting the button from unintentional operation.

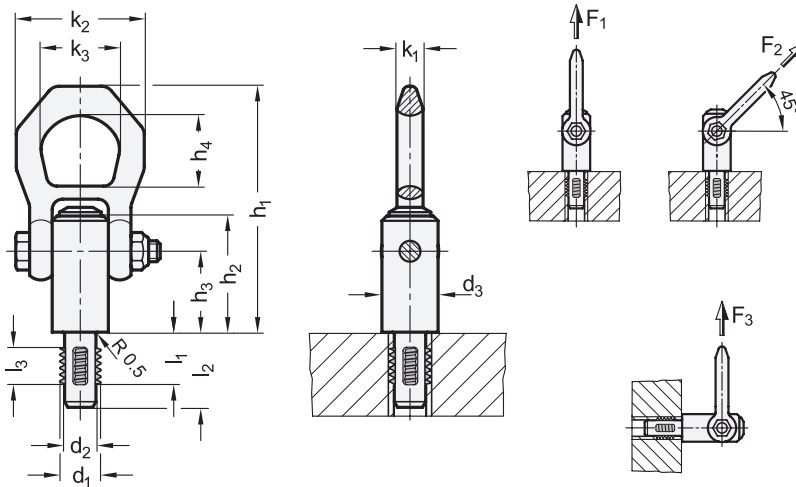
For further application guidelines, see the operating instructions enclosed with every threaded lifting pin

- Operating instruction GN 1133 (see page)

TECHNICAL INFORMATION

- Stainless Steel Characteristics (see page A26)





GN 1133-ST

Description	d ₁	l ₁	d ₂ -0.07	d ₃	h ₁	h ₂	h ₃	h ₄	k ₁	k ₂	k ₃	l ₂	l ₃	Nominal load in kN* F ₁	Nominal load in kN* F ₂	Nominal load in kN* F ₃	⚖️
GN 1133-M8-12-ST	M 8	12	6.62	21.5	87.5	36	25.7	27	9.5	49	30	17.8	8	2.1	0.9	0.8	275
GN 1133-M10-14-ST	M 10	14	8.35	21.5	87.5	36	25.7	27	9.5	49	30	20	10	3.9	1.5	1.5	278
GN 1133-M12-17-ST	M 12	17	10.07	21.5	87.5	36	25.7	27	9.5	49	30	24	12	6.2	2.5	2.3	284
GN 1133-M16-17-ST	M 16	17	13.8	21.5	87.5	36	25.7	27	9.5	49	30	24	12	8.4	4.5	4.2	300
GN 1133-M20-22-ST	M 20	22	17.25	30	114	52	36.5	32.6	15	56	36	30	17	16.6	7.7	5	685

GN 1133-NI

STAINLESS STEEL

Description	d ₁	l ₁	d ₂ -0.07	d ₃	h ₁	h ₂	h ₃	h ₄	k ₁	k ₂	k ₃	l ₂	l ₃	Nominal load in kN* F ₁	Nominal load in kN* F ₂	Nominal load in kN* F ₃	⚖️
GN 1133-M8-12-NI	M 8	12	6.62	21.5	87.5	36	25.7	27	9.5	49	30	17.8	8	2.1	0.9	0.8	284
GN 1133-M10-14-NI	M 10	14	8.35	21.5	87.5	36	25.7	27	9.5	49	30	20	10	3.9	1.5	1.5	289
GN 1133-M12-17-NI	M 12	17	10.07	21.5	87.5	36	25.7	27	9.5	49	30	24	12	6.2	2.5	2.3	293
GN 1133-M16-17-NI	M 16	17	13.8	21.5	87.5	36	25.7	27	9.5	49	30	24	12	8.4	4.5	4.2	310
GN 1133-M20-22-NI	M 20	22	17.25	30	114	52	36.5	32.6	15	56	36	30	17	10	7.7	5	695

* With 5-fold anti-fracture safety

